



PRO-DCC500FDP CYBERVIEW SYSTEMS COLOR CAMERA

540TVL, Day & Night, DSS

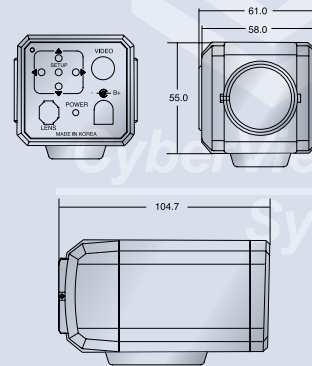
Specifications

Signal System	NTSC
Image Sensor	1/3" Interline Transfer Type Sony CCD
Total Pixels	811(H)x508(V)
Effective Pixels	768(H)x 494(V) (401k Pixels)
Resolution	More than 530 TV lines
Scanning Frequency	15.734Khz(H), 60(V)
Shutter Speed	1/60~1/100,000 sec
Min. Illumination	Color: 0.3 Lux @ F1.2 B/W: 0.002 Lux (Sense-up: Auto (2x~128x))
Day & Night	D&N Function by Digital Change: Auto/Off
Shutter	ESL/Manual/Flickerless
White Balance	ATW/AWC/MANUAL
BLC	Low/Middle/High/Off
AGC	Low/Middle/High/Off
DNR	Auto/Off
Privacy Zone & Motion Detection	4 Programmable Zone
Sharpness	On (Level: 0~31)/Off
Camera ID	On/Off
S/N Ratio	More than 50dB
Video Output	Composite video output 75 ohm terminated
Lens Mount	C/CS Mount
Sync. System	Internal
Operating Humidity	30% ~ 90% RH
Operating Temp.	-10°C to 50°
Weight	About 420g
Power Consumption	Max 2.5W
Power Supply	12VDC/24VAC

Features

- 410K Pixel, 1/3" CCD
- High Resolution (up to 540HTVL Equivalent)
- Day & Night, Privacy Masking Zone, Motion Detection Function
- Built-in OSD (On Screen Display) Menu
- DNR (Digital Noise Reduction)
- C/CS Mount Lens
- Low up to 0.002 Lux Color Camera

Dimensions



(UNIT : mm)

