

Brickcom

**Megapixel Day & Night
Fixed Box Network Camera
FB-100A/FB-130A/FB-131A/FB-130N
FB-300A Series
Quick Installation Guide
Quality Service Group**



Read Before You Use

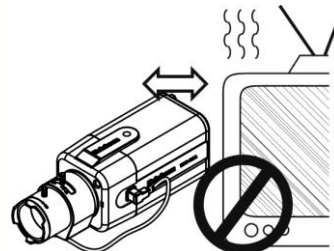
1. Power off the camera device immediately if it starts smoking or smells unusual.



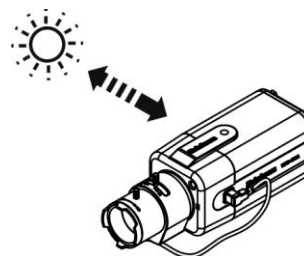
2. Power off the camera device immediately if the camera is exposed to rain or liquid.



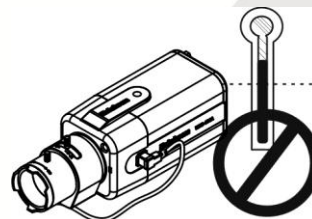
3. Do not set the camera device near any heat sources. (Ex: television and oven)



4. Keep the camera device away from direct sunlight.



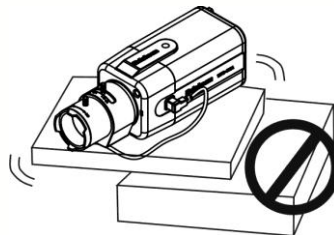
5. Do not set the camera device over the specific operating temperature.



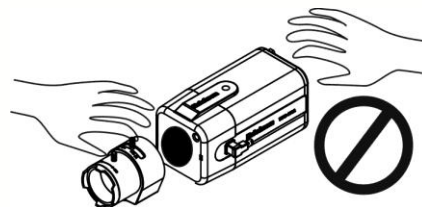
6. Do not set the camera device in any wet and humid environments.



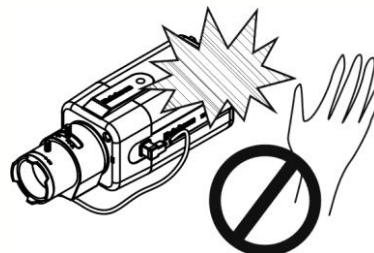
7. Do not set the camera device on unsteady surfaces.



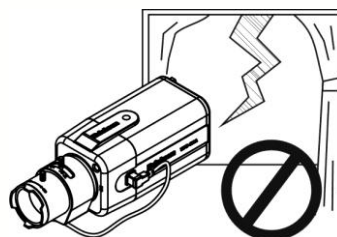
8. Do not attempt to dismantle the camera device.



9. Do not drop or hit the camera device.


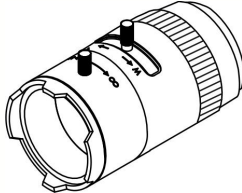
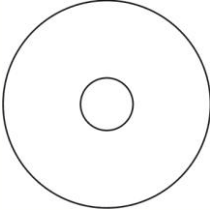
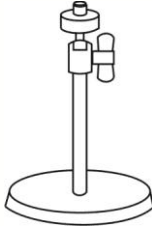

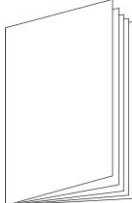

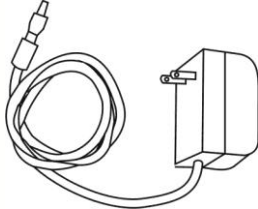




10. Do not use the camera device when there is lightning.





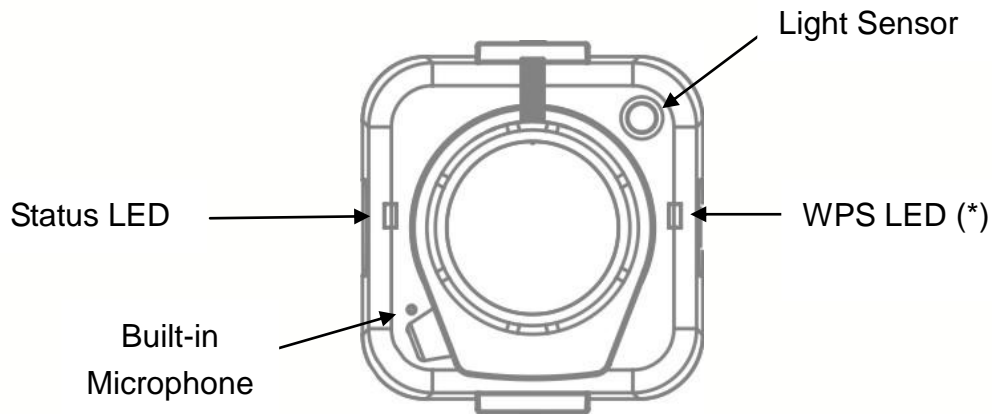
1. Check Package Contents

<p>a. Network Camera (FB-100A/FB-130A/FB-131A/FB-300A)</p> 	<p>b. CS mount Lens (Optional)</p> 
<p>c. Product CD</p> 	<p>d. Camera Stand</p> 
<p>e. Warranty Card</p> 	<p>f. Easy Installation Guide</p> 
<p>g. Detachable Antenna (Optional)</p> 	<p>h. Power Adapter (Optional)</p> 
<p>i. BNC Adapter (FB-130A only)</p> 	<p>j. Allen Key</p> 

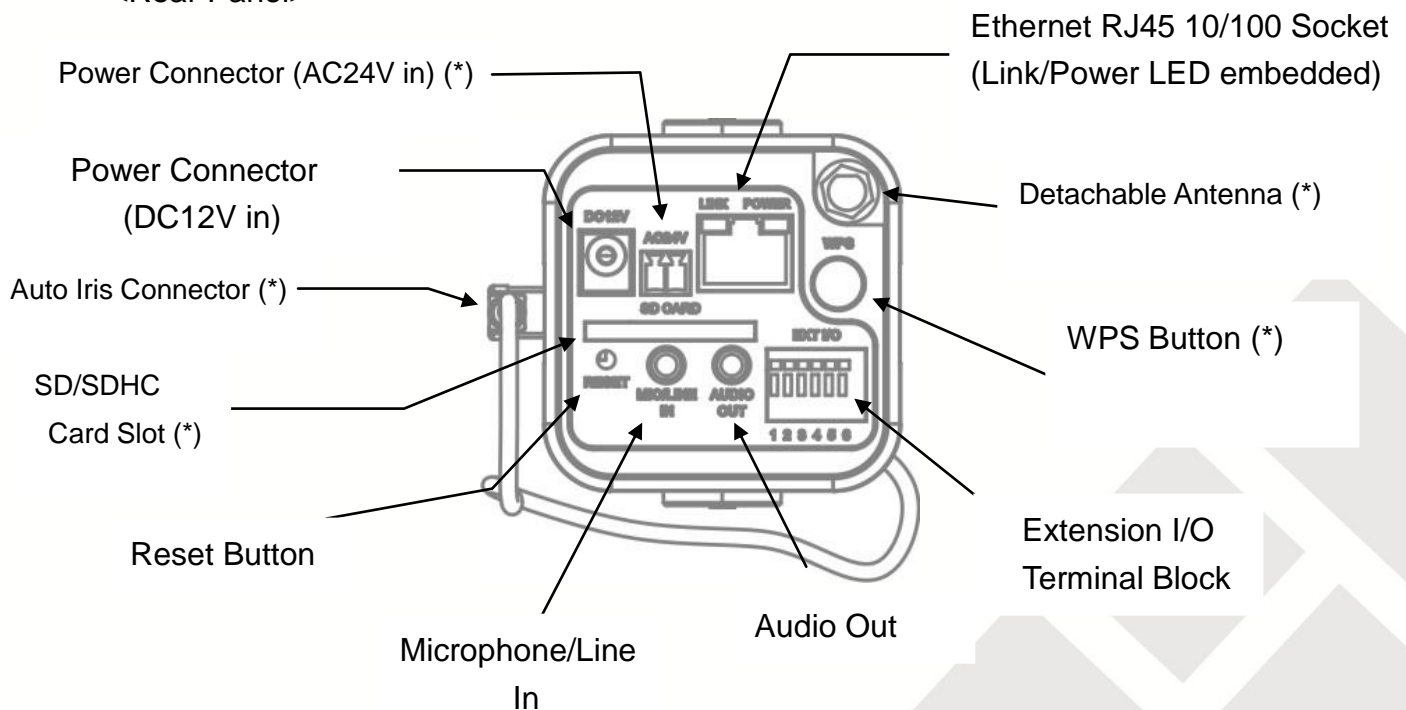


2. Device Description

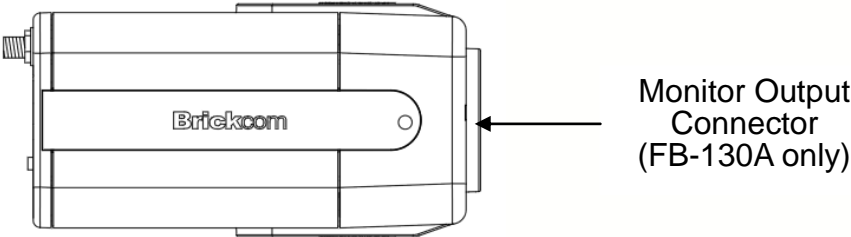
<Front Panel>



<Rear Panel>



< Side View >



(*) These are optional features. Please refer to the Product List for the full list of optional features that are available for this product.

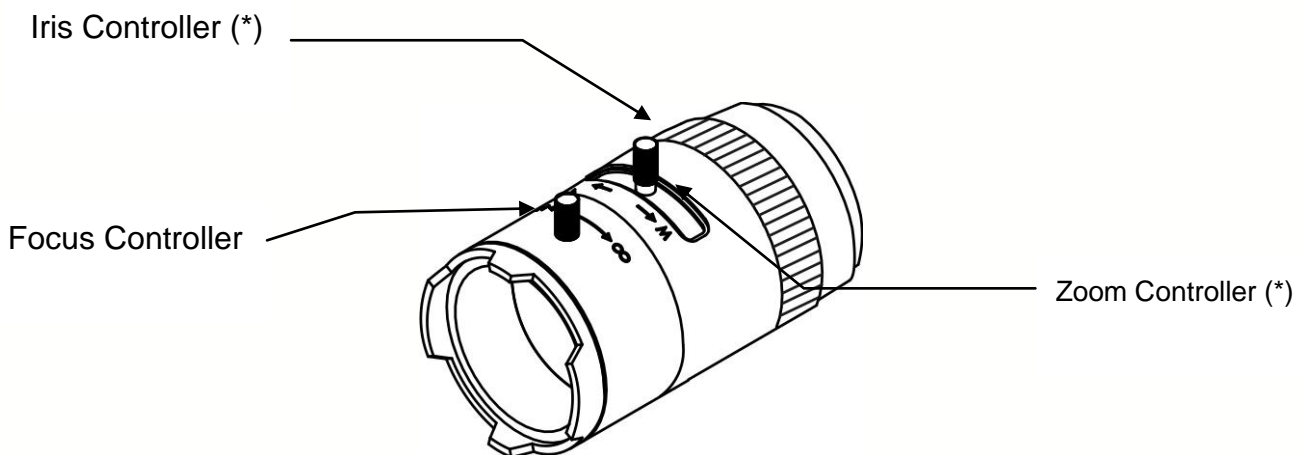




3. Optional for CS Mount Lens

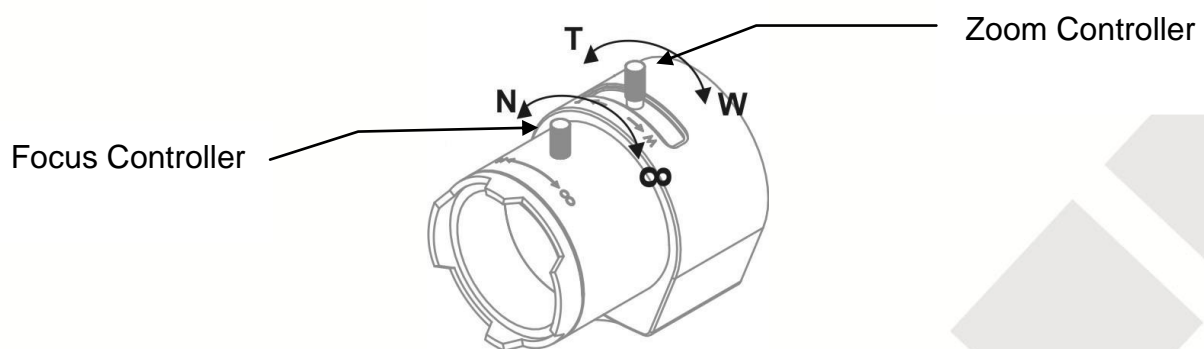
<Optional Lens>

<Vari-focal Lens with Manual Iris> --- CS Mount



<Optional Lens>

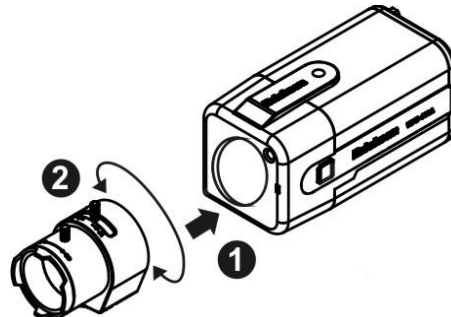
<Vari-focal Lens with Auto Iris (DC Drive)> --- CS Mount





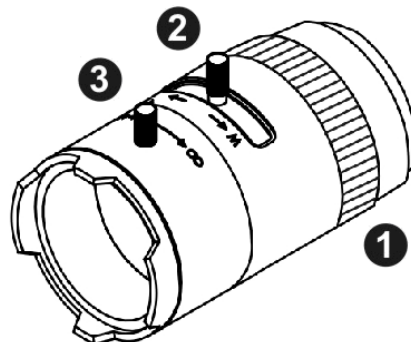
4. Connecting the CS-Mount Lens to the Camera

<Vari-focal Lens with Manual Iris> --- Optional Lens



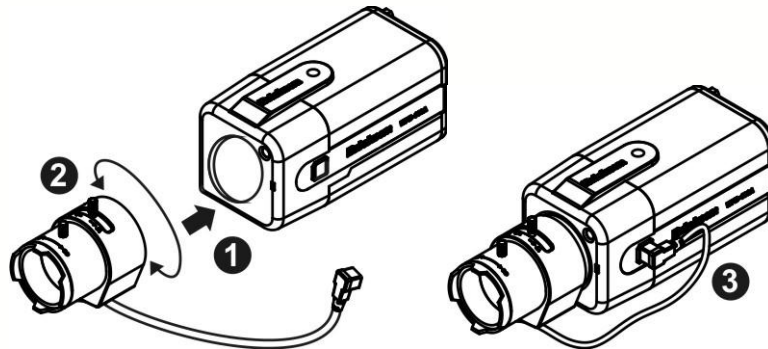
1. Connect the CS-mount lens to the camera by turning it clockwise onto the camera mount until it stops.
2. If necessary, adjust the iris controller, focus controller, and zoom controller to get the best resolution.

To adjust the lens:



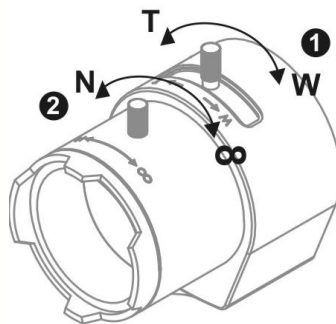
1. Adjust the iris ring controller to control the amount of light coming through the lens. The more the iris is opened, the brighter the scene will be.
2. The zoom controller can be manually adjusted to control the zoom factor on the camera. Users can create a tighter or wider view of the site being recorded.
3. Adjust the focus controller to control the focus range of the lens.

<Vari-focal Lens with Auto Iris> --- Optional Lens



1. Connect the CS-mount lens to the camera by turning it clockwise onto the camera mount until it stops.
2. If necessary, adjust the iris controller, focus controller, and zoom controller to get the best resolution.
3. Connect the lens cable plug (DC Iris control cable) to the camera side connector.

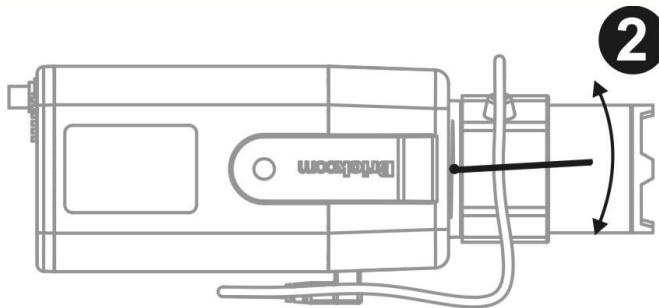
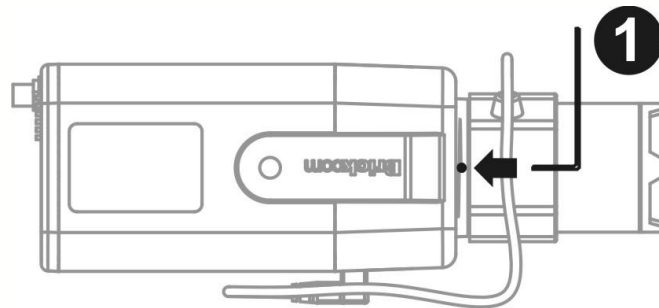
To adjust the lens:




1. The zoom controller can be manually adjusted to control the zoom factor on the camera. Users can create a tighter or wider view of the site being recorded.
2. Adjust the focus controller to control the focus range of the lens.

To adjust the CS-ring:

If the fixed box is still not focusing correctly on the target, use an Allen Key to adjust the location of the CS-ring, then try focusing again.

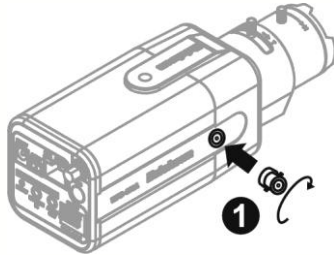


 **NOTE - For further information of vari-focal lens with auto iris, please refer to the supplied lens' instruction manual.**

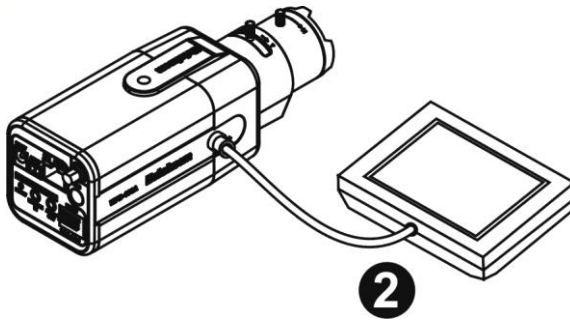
<Connect a Monitor to the Camera: (FB-130A only)>

Use a BNC adapter to view the camera's video feed and manually adjust the lens iris, focus, and zoom to get the desired image quality.

1. Connect the BNC adapter to the side of the camera.



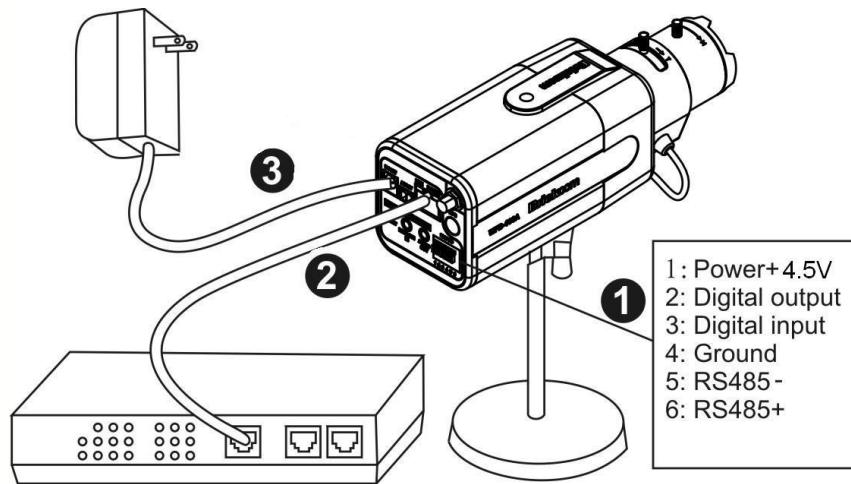
2. Connect the monitor to the BNC adapter.





5. Camera Connection

Basic Connection (Without PoE)

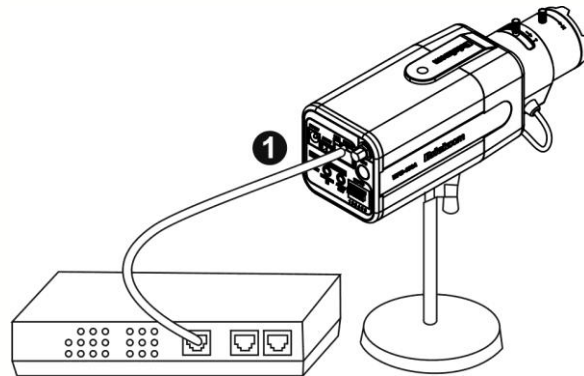


1. To attach external devices, such as sensors and alarms, connect them to the extension I/O terminal block.
2. Connect the camera to a switch using an Ethernet cable.
3. Connect the supplied power cable to the camera and plug it into a power outlet.

Power over Ethernet (PoE) Connection

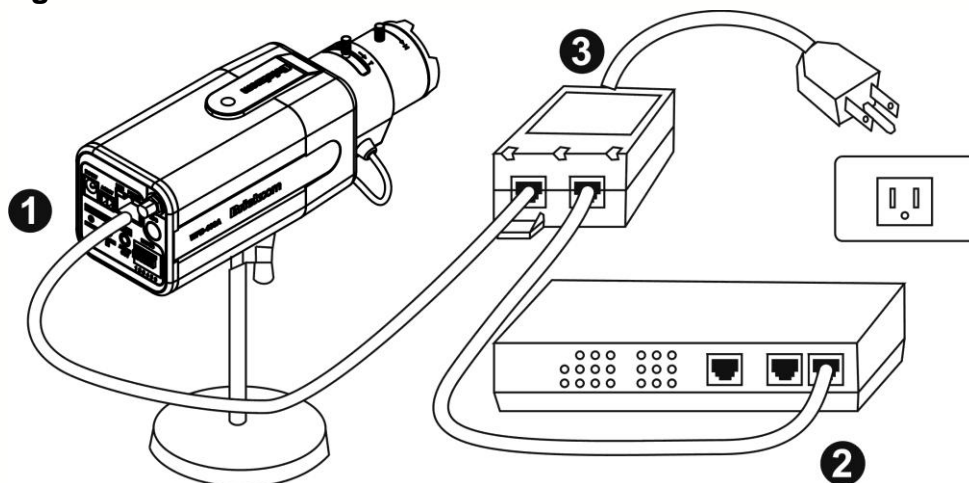
The FB-100A is PoE compliant, so there are two options for connecting the camera to a power and Ethernet source. The camera can either be connected to a PoE-enabled switch or a non-PoE switch.

A. If using a PoE-enabled switch:



1. Use a single Ethernet cable to connect the camera to the PoE-enabled switch.

B. If using a non-PoE switch:



1. Use a standard RJ-45 cable to connect the camera to a PoE Injector.
2. Use a standard RJ-45 cable to connect the PoE Injector to the non-PoE switch.
3. Use a standard power cable to connect the PoE Injector to a power outlet.



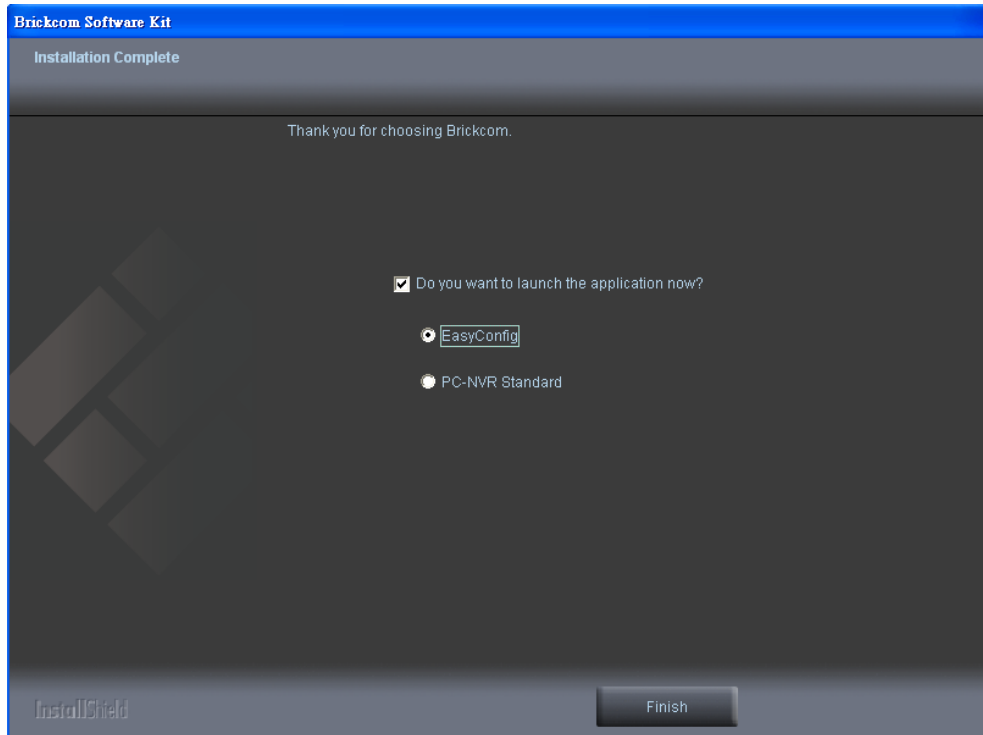
6. Setup the Network Camera

1. Insert the Installation CD into the CD-ROM driver. Run Auto-Run Tool directly from the CD-ROM to start the installation. When installing the Brickcom software kit for the first time, select a desired language for the interface. The available languages are listed in the scroll box. Click **<Install>** and follow the steps to install the EasyConfig wizard on the desired computer.



Please follow the instruction of the InstallShield Wizard to finish the Brickcom Software Kit installation.

2. To launch EasyConfig or PC-NVR Standard, select the application and click **<Finish>**. When launching the PC-NVR program, please refer to the PC-NVR user manual.



EasyConfig

To launch EasyConfig, select EasyConfig from the start menu. If Complete Setup type was used in the software installation, an EasyConfig icon was installed on the desktop. Double click to open the icon.

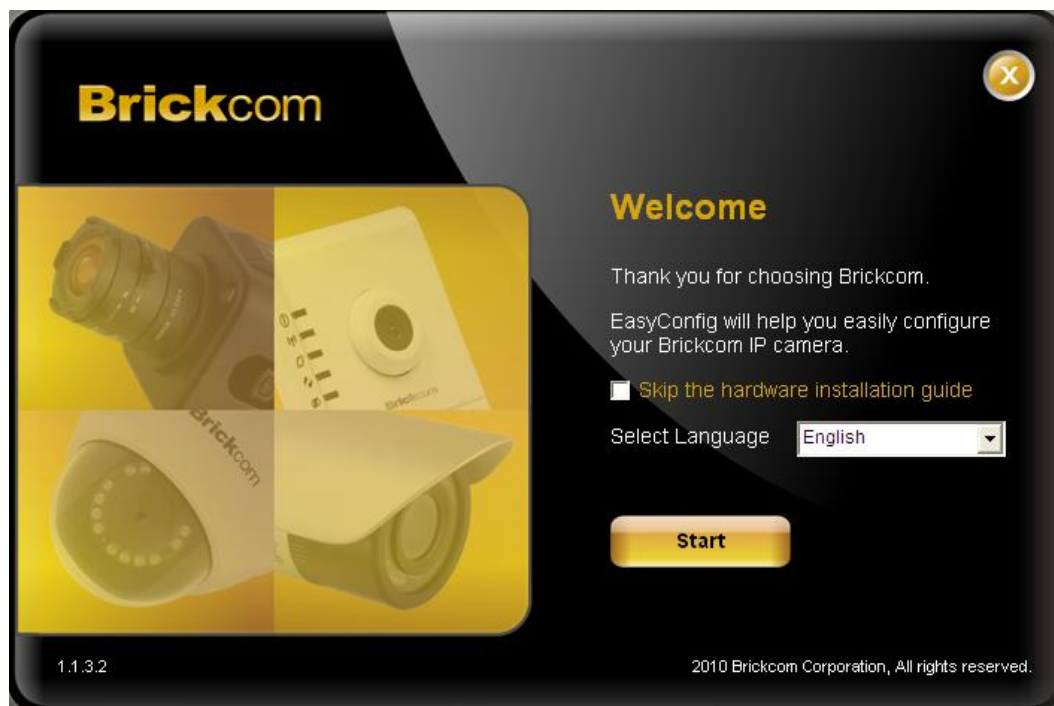


If Custom Setup type was used in the software installation and an EasyConfig icon was not installed on the desktop, the program will be installed under C:\Program Files\Brickcom\EasyConfig unless the program was saved to a preferred directory.

1. Click <**Start**> to continue. The program will automatically search for the camera in the intranet.



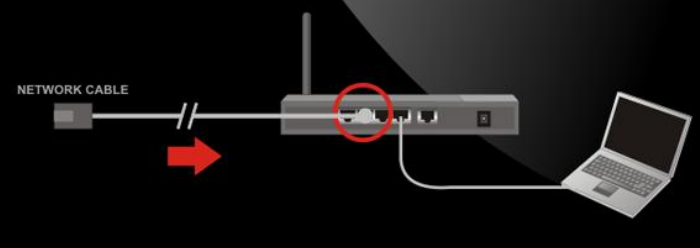
NOTE - Check “Skip the hardware installation guide” to skip checking the hardware connection. To check the hardware installation settings, do not check the option box.




Brickcom

Connection

1 Plug one end of the supplied network cable into your network switch or router.

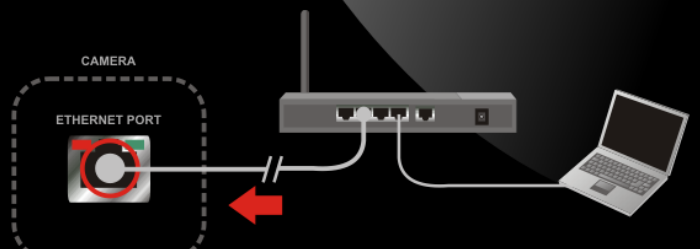


NETWORK CABLE




Brickcom

2 Plug the other end of the supplied network cable into the camera's Ethernet port.



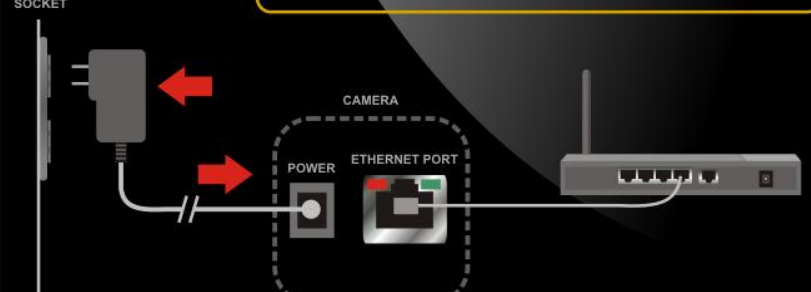
CAMERA

ETHERNET PORT



Brickcom

3 Plug the power adapter into the camera's power port. Then connect the other end into the power outlet. Please check that the LED light is on.




POWER SOCKET

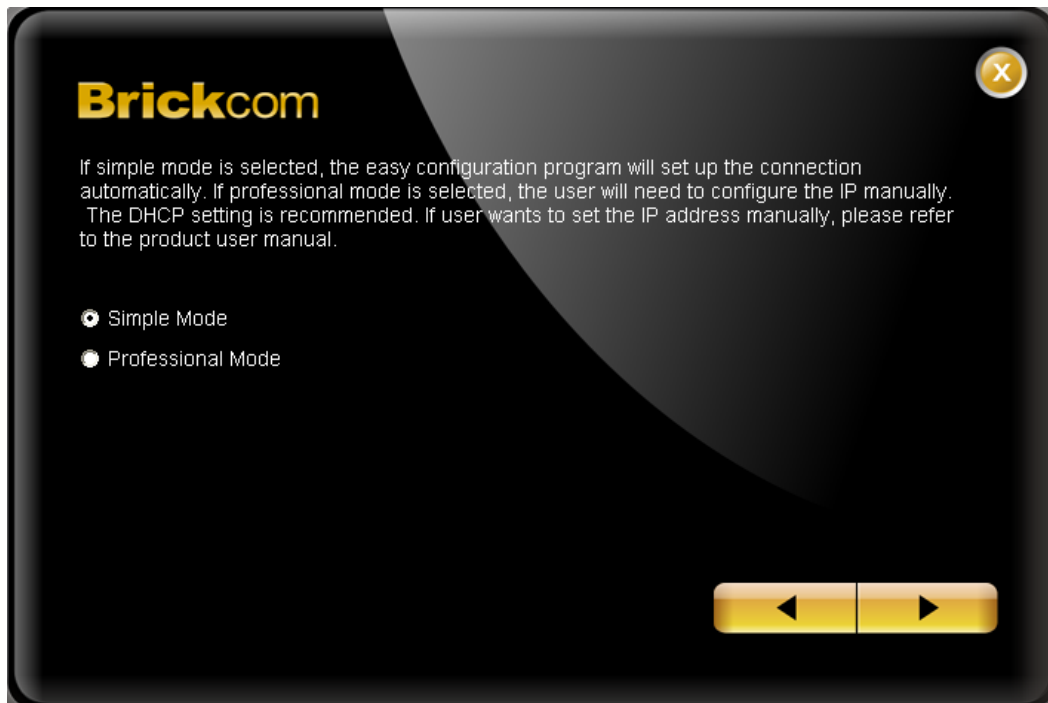
CAMERA

POWER

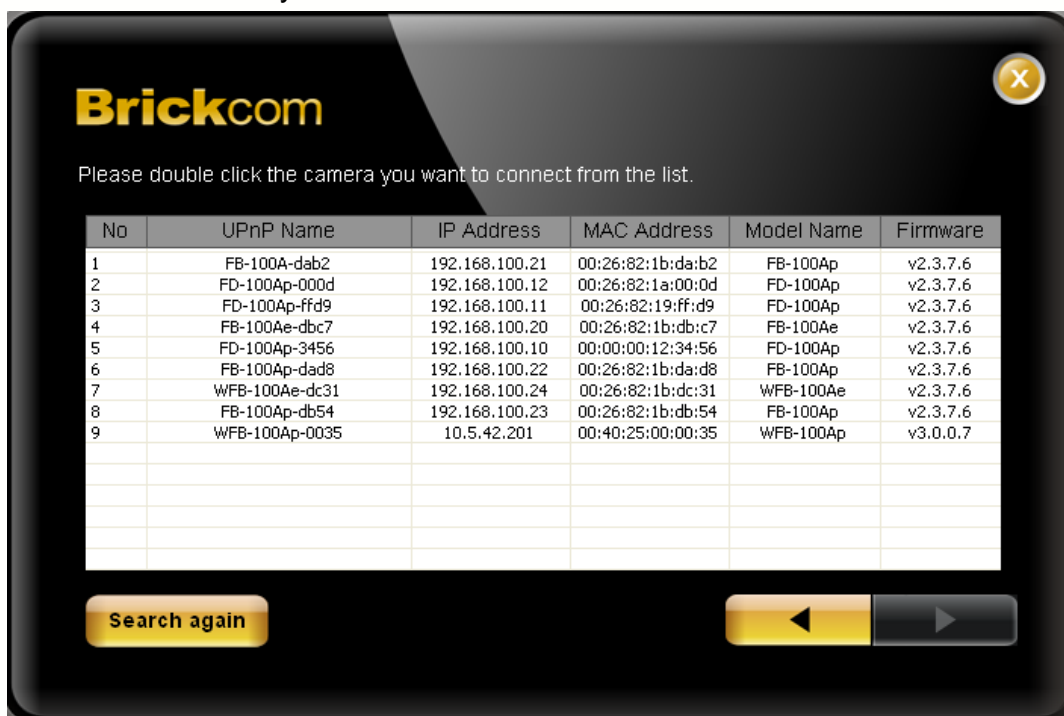
ETHERNET PORT



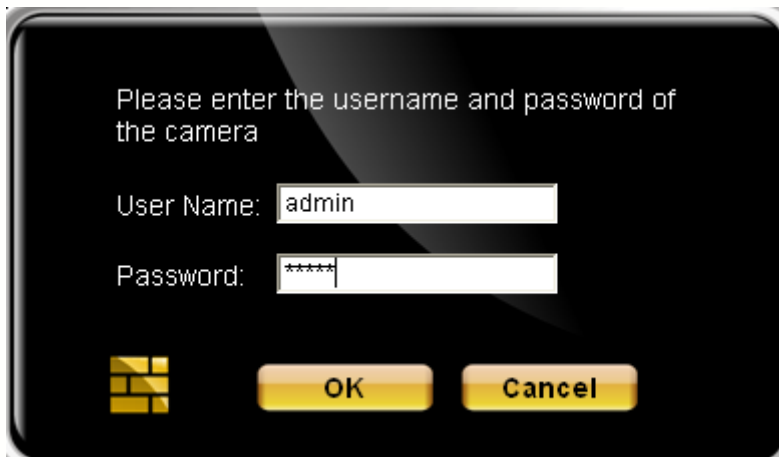
2. Select either “Simple Mode” or “Professional Mode” to obtain the camera’s IP settings. If “Simple Mode” is selected, EasyConfig will set up the connection automatically. If “Professional Mode” is selected, the user will need to configure the IP settings manually.



3. There may be many cameras in the local network. Differentiate the cameras using their UPnP name. Double click on the camera from the survey list to connect.




4. Enter the username and password of the camera. For first time use, the default username and password are “**admin/admin.**”



Please enter the username and password of the camera

User Name:

Password:



5. For configuring the IP address settings, select either <Settings remain the same>, <Automatically obtain an IP Address (DHCP)> or <Set IP Address configuration manually>. The DHCP setting is recommended.



Brickcom X

Select the IP Address settings.

- Settings remain the same
- Automatically obtain an IP Address (DHCP)
- Set IP Address configuration manually

- a. If <Set IP Address configuration manually> is selected, the following pages will be displayed.

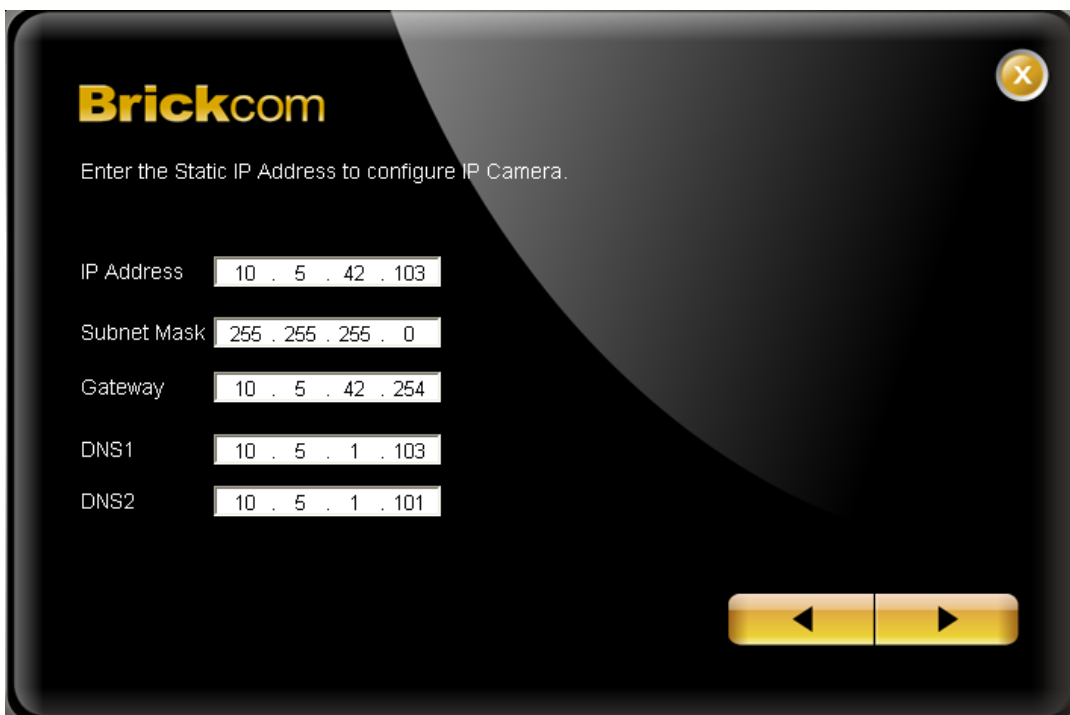


Brickcom

Select the IP Address settings.

- Settings remains the same
- Automatically obtain an IP Address (DHCP)
- Set IP Address configuration manually

Navigation buttons: back and forward arrows.



Brickcom

Enter the Static IP Address to configure IP Camera.

IP Address: 10 . 5 . 42 . 103

Subnet Mask: 255 . 255 . 255 . 0

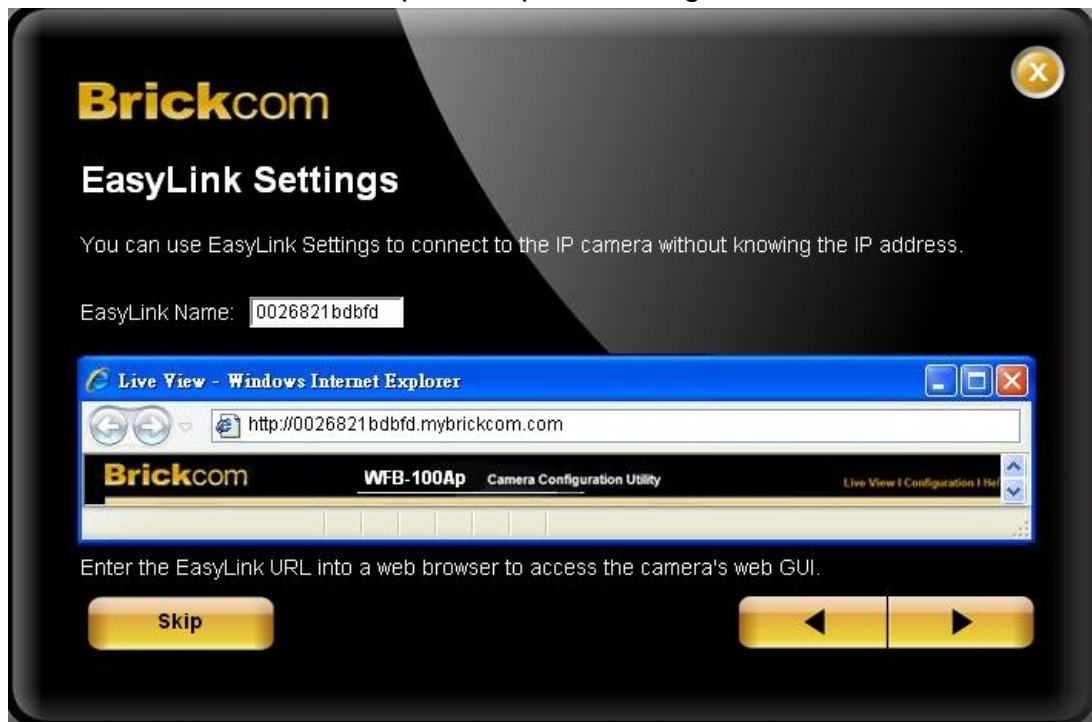
Gateway: 10 . 5 . 42 . 254

DNS1: 10 . 5 . 1 . 103

DNS2: 10 . 5 . 1 . 101

Navigation buttons: back and forward arrows.

6. If the camera supports the EasyLink™ function, the following page **will be** displayed. Otherwise, this page **will not** be shown.
*If desired, click <Skip> to skip this setting.



EasyLink™ is a unique Brickcom function which allows users to assign a unique EasyLink name to their network camera's IP address. There is no need to configure the router to open up ports or remember hard-to-memorize IP addresses. Users can log onto [uniqueEasyLinkname].mybrickcom.com to view the camera's web GUI and live view.

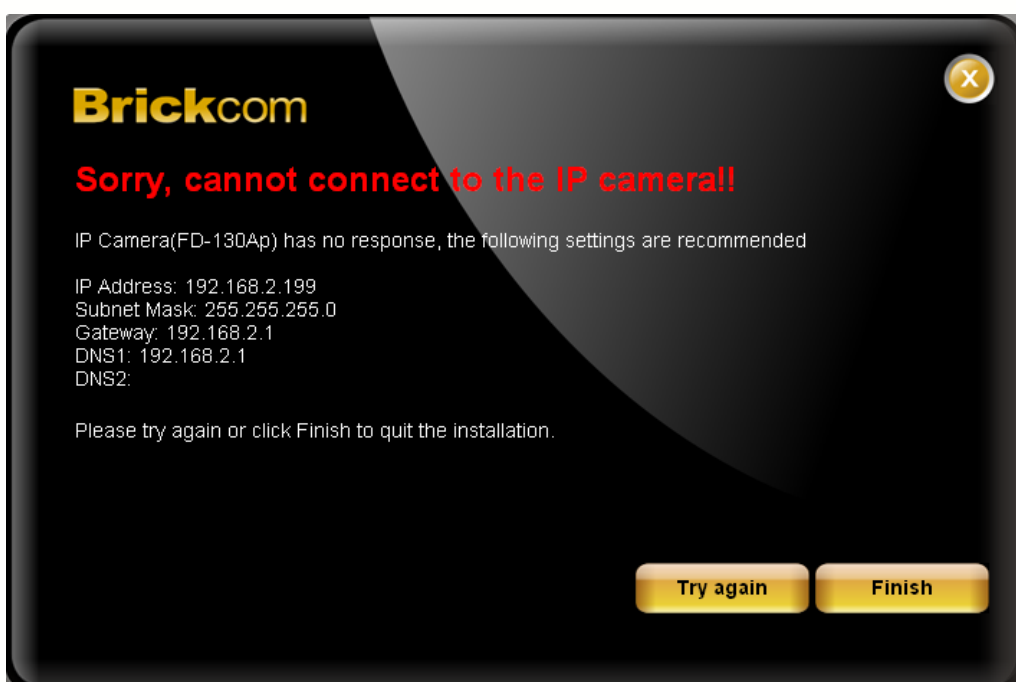
1. Enter a unique EasyLink name whose length must be between 5-32 characters.
2. When finished, click the arrow button to continue.

7. When the IP address settings have been configured, the screen will either display a successful or failed connection message. If the connection failed, either try again or quit the installation.

- a. If “DHCP IP address settings” was selected, the failure page will be displayed as below:



- b. If “Static IP address settings” was selected, the failure page will be displayed as below:



- c. If the connection was successful, the user will see the message:
“Congratulations. The installation of the camera is complete.”

When this window is displayed, click <**PC-NVR**> to start the PC-NVR program, <**Live View**> to view the live video from the connected IP camera, or <**X**> in the top right corner of the screen to close the installation window. To run the PC-NVR program, please refer to the PC-NVR user manual for more information.

